

aquatica®

Function, Form & Fashion



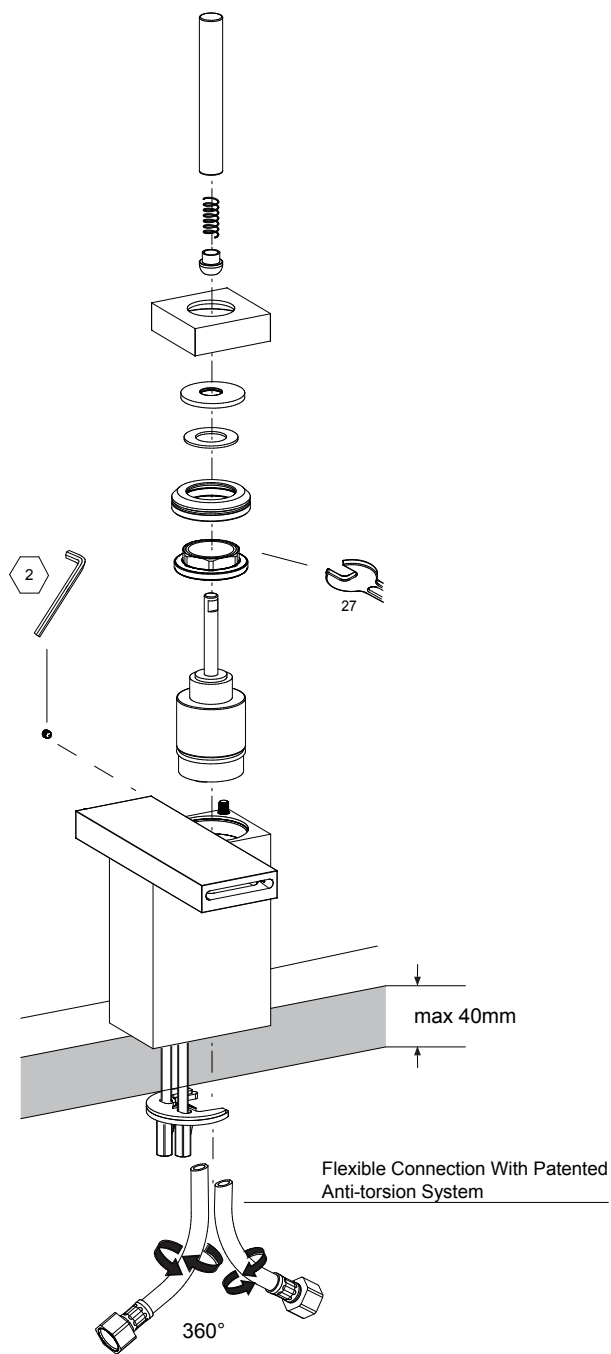
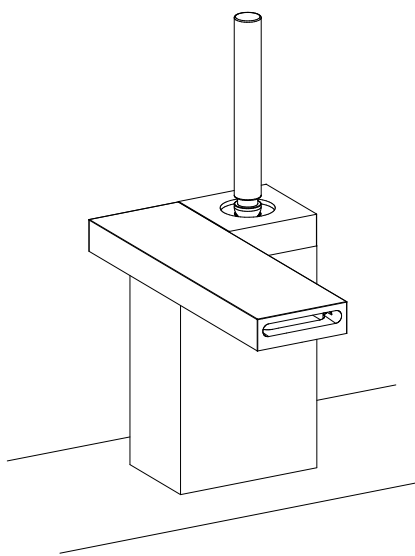
Modul-220
4.75" Sink Faucet

Installation & Care Manual
Europe / International

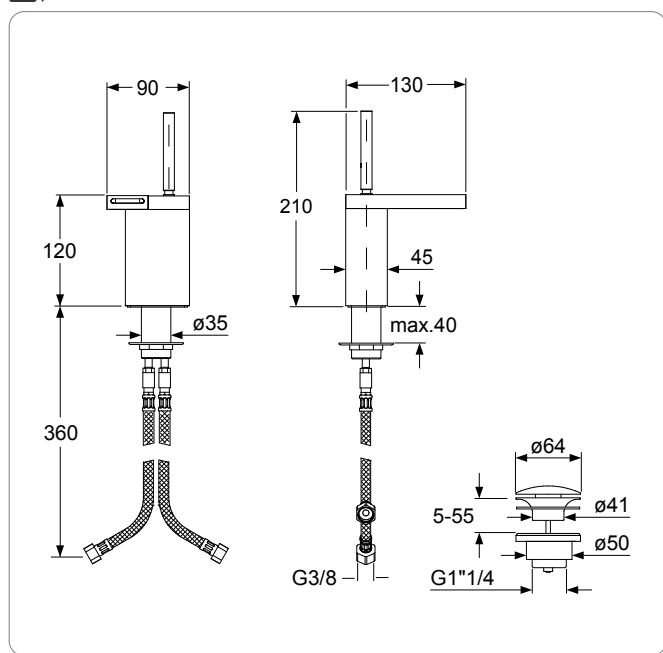
Modul-220

4.75" Sink Faucet

PARTS LIST



MEASUREMENTS: mm



SPECIFICATIONS

Recommended operational pressure	1-5 bar
Maximum test pressure	16 bar
Maximum hot water temperature	80 °C
Recommended temperature	50-60 °C
Pressure difference between hot and cold water	max. 1,5 bar

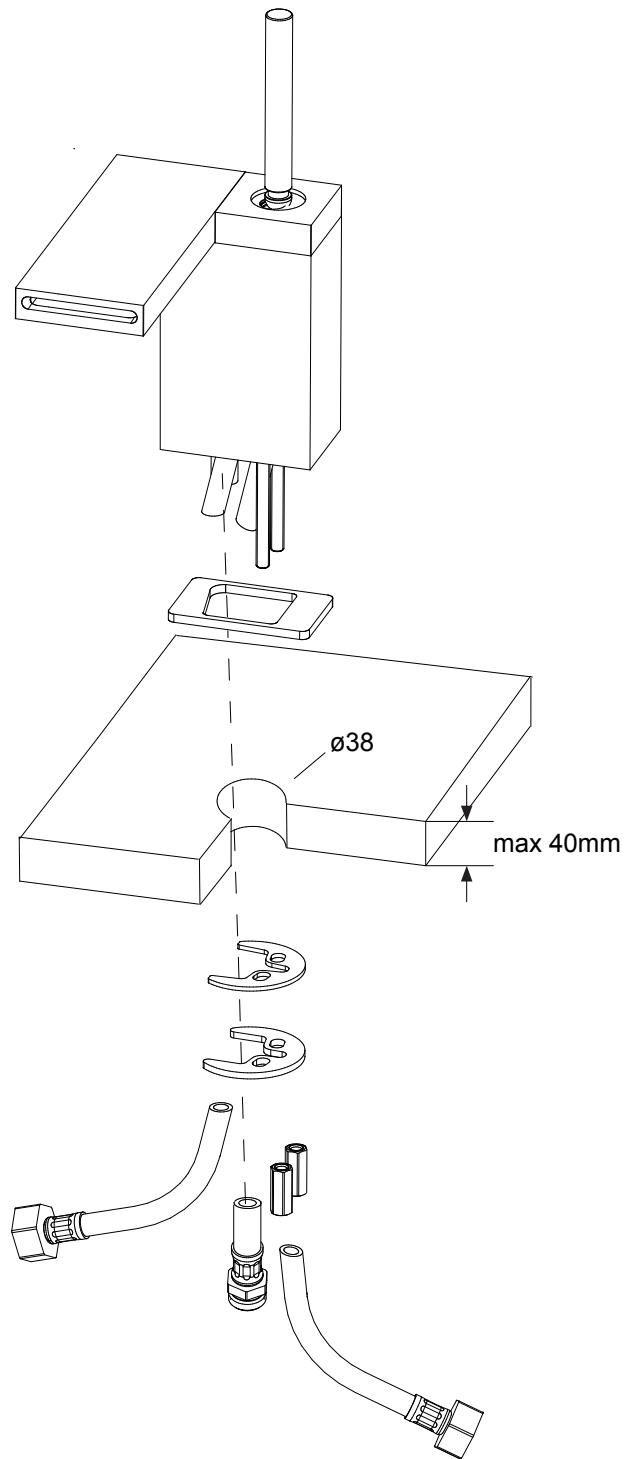
IMPORTANT NOTE

- Installation to be performed by qualified personnel
- Before connecting to mains, bleed the pipes to avoid damage.



Modul-220
4.75" Sink Faucet
INSTALLATION SEQUENCE

aquatica®
Function, Form & Fashion



aquatica®
Function, Form & Fashion

aquatica®
Function, Form & Fashion

